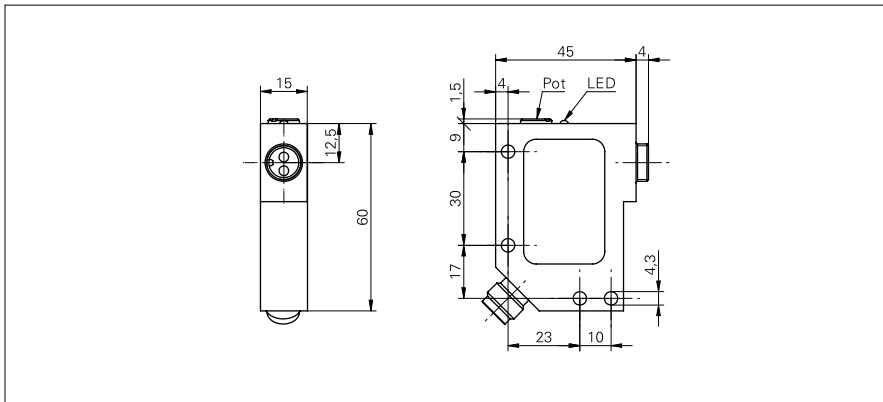


Fiber optic sensors & cables

FVDM 15

sample drawing



general data

actual range S_b	1200 mm
sensing distance T_w	240 mm
light source	pulsed infrared diode
light indicator	LED yellow
alignment / soiled lens indicator	LED, flashing
adjustment	potentiometer, 20 turn
wave length	880 nm
suppression of reciprocal influence	yes

electrical data

voltage supply range +Vs	10 ... 30 VDC
voltage drop Vd	< 1,8 VDC
output function	light / dark operate
output current	< 200 mA
short circuit protection	yes
reverse polarity protection	yes

mechanical data

width / diameter	15 mm
height / length	60 mm
depth	45 mm
type	rectangular
housing material	die-cast aluminum

ambient conditions

operating temperature	-25 ... +65 °C
protection class	IP 65

sample picture



order reference	response time / release time	current consumption max. (no load)	current consumption typ.	output circuit	connection types
FVDM 15N5103	< 1 ms	46 mA	30 mA	NPN	cable 4 pin, 2 m
FVDM 15N5103/S14	< 1 ms	46 mA	30 mA	NPN	connector M12 4 pin
FVDM 15P5103	< 1 ms	46 mA	30 mA	PNP	cable 4 pin, 2 m
FVDM 15P5103/S14	< 1 ms	46 mA	30 mA	PNP	connector M12 4 pin
FVDM 15P5130	< 0,1 ms	60 mA	50 mA	PNP	cable 4 pin, 2 m
FVDM 15P5130/S14	< 0,1 ms	60 mA	50 mA	PNP	connector M12 4 pin