

Time and hours meters electromechanic

Hour counters with DIN dimensions

Display 7-digits, VAC trigger

B 148



B 148 for AC

Technical data - electrical ratings

Voltage supply	24 VAC, 110 VAC, 220..240 VAC (50/60 Hz)
Nominal frequency	50 / 60 Hz
Power consumption	1 VA
Gear precision	Synchronous to mains
Approval	CE conform

Features

- Time and hour counter
- AC voltage
- 7-digit number wheel counter
- Measuring range 99999.99 h
- Without reset

Description

Baumer IVO hour counters are applied anywhere to make costs become evident, to observe maintenance intervals, to define warranty periods or to record operation hours.

Technical data - mechanical design

Display	White numbers on black
Number of digits	7-digits
Digit height	4 mm
Measuring range	99 999.99 h
Reading accuracy	AC: 1/100 h = 36 s
Operating temperature	-10...+50 °C
Storing temperature	-20...+70 °C
Relative humidity	80 % non-condensing
Protection DIN EN 60529	IP 20
Housing type	Built-in housing Surface mount housing
E-connection	Screw terminal connector
Mounting	Clip frame
Dimensions W x H x L	48 x 48 x 43 mm
Cutout dimensions	45 x 45 mm
Installation depth	33 mm
Weight approx.	60 g
Material	Housing: plastic

Time and hours meters electromechanic

Hour counters with DIN dimensions

Display 7-digits, VAC trigger

B 148

Part number

B 148.0 X C

Voltage
5 24 VAC
8 110 VAC
9 220...240 VAC

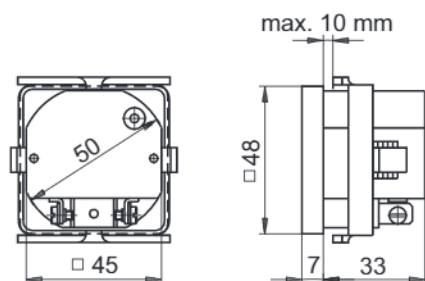
Frequency
C 50 Hz
D 60 Hz

Model / front dimensions

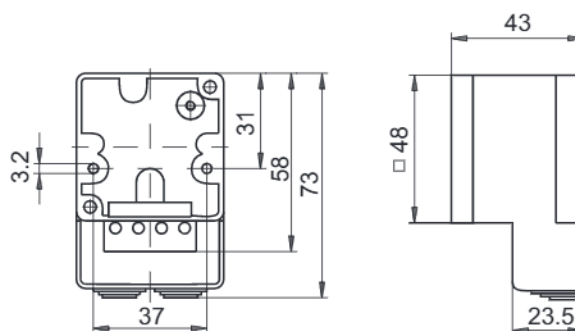
- 01 Built-in mounting 45 x 45 mm, screw terminals 48 x 48 mm
- 02 Built-in mounting $\varnothing 50$ mm, screw terminals 55 x 55 mm
- 07 Surface mount, snap-on base for DIN rail EN 50022

Dimensions

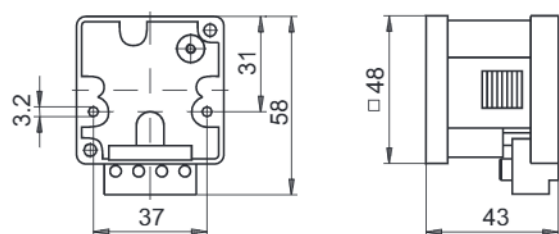
Built-in counter



For surface mount, snap-in base with terminal cover



For surface mount, snap-in base w/o terminal cover



For surface mount, snap-in base (EN 50022)

