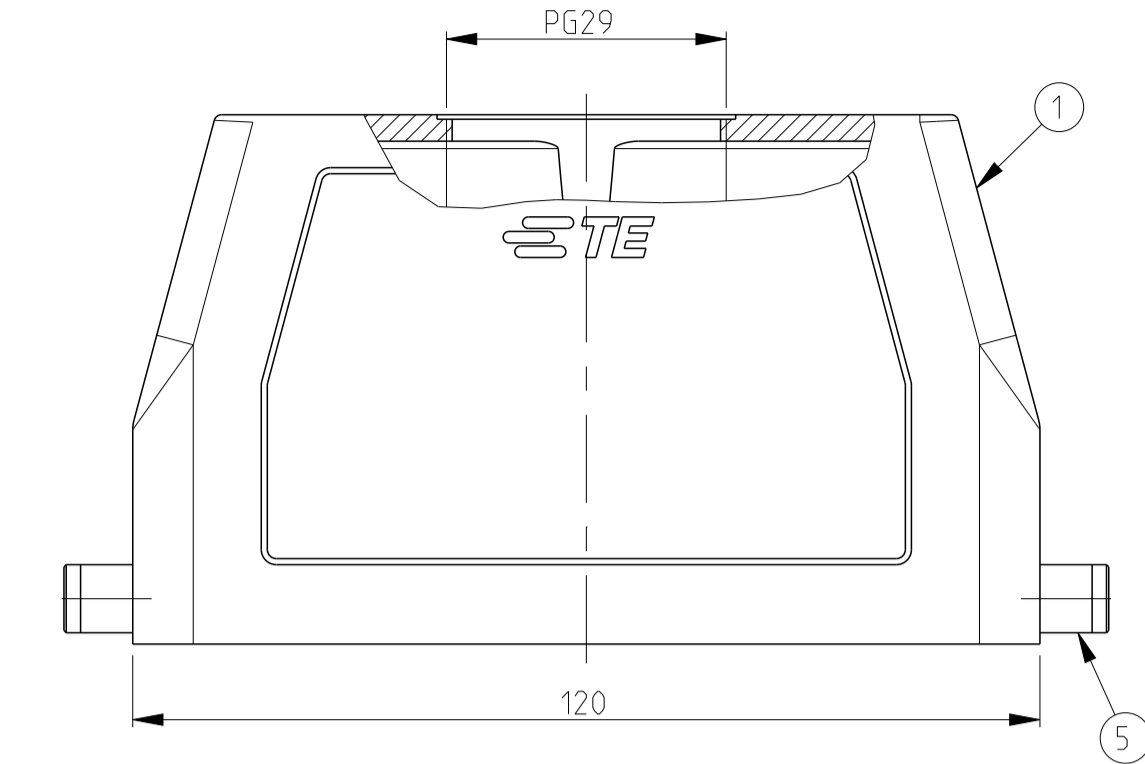
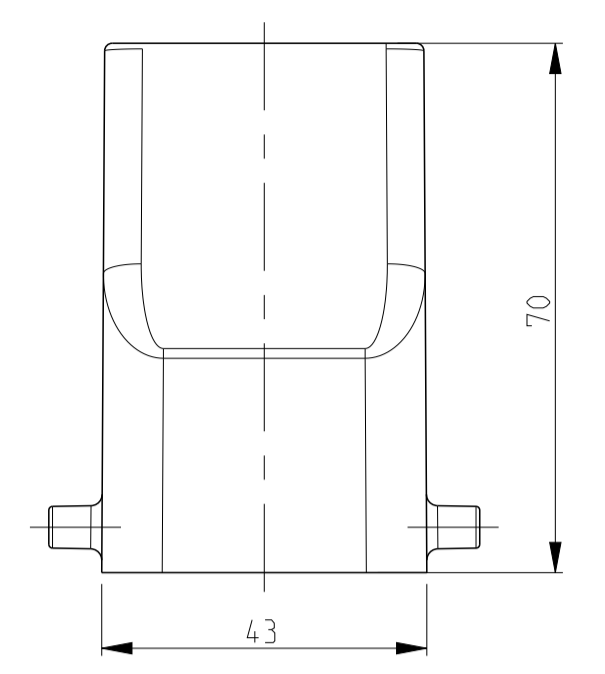
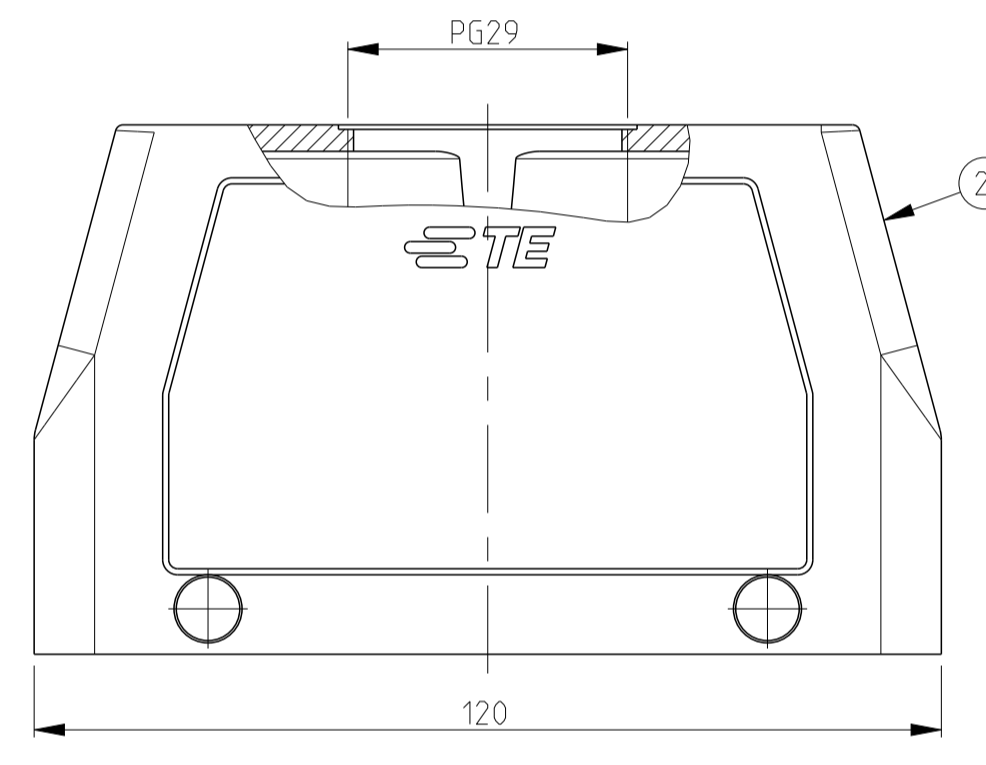
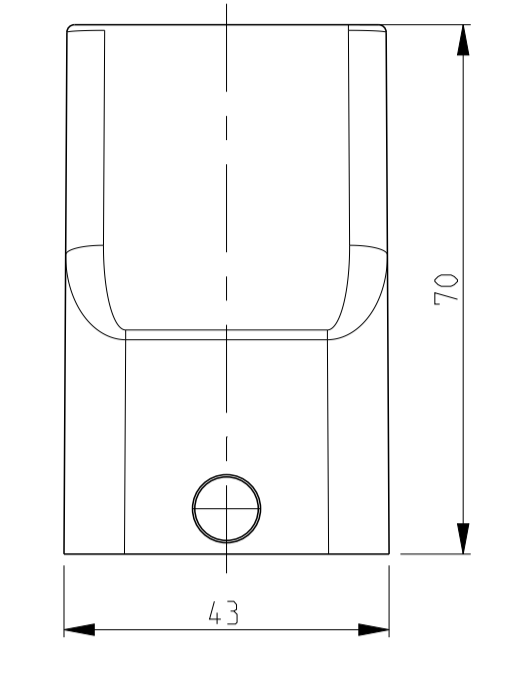


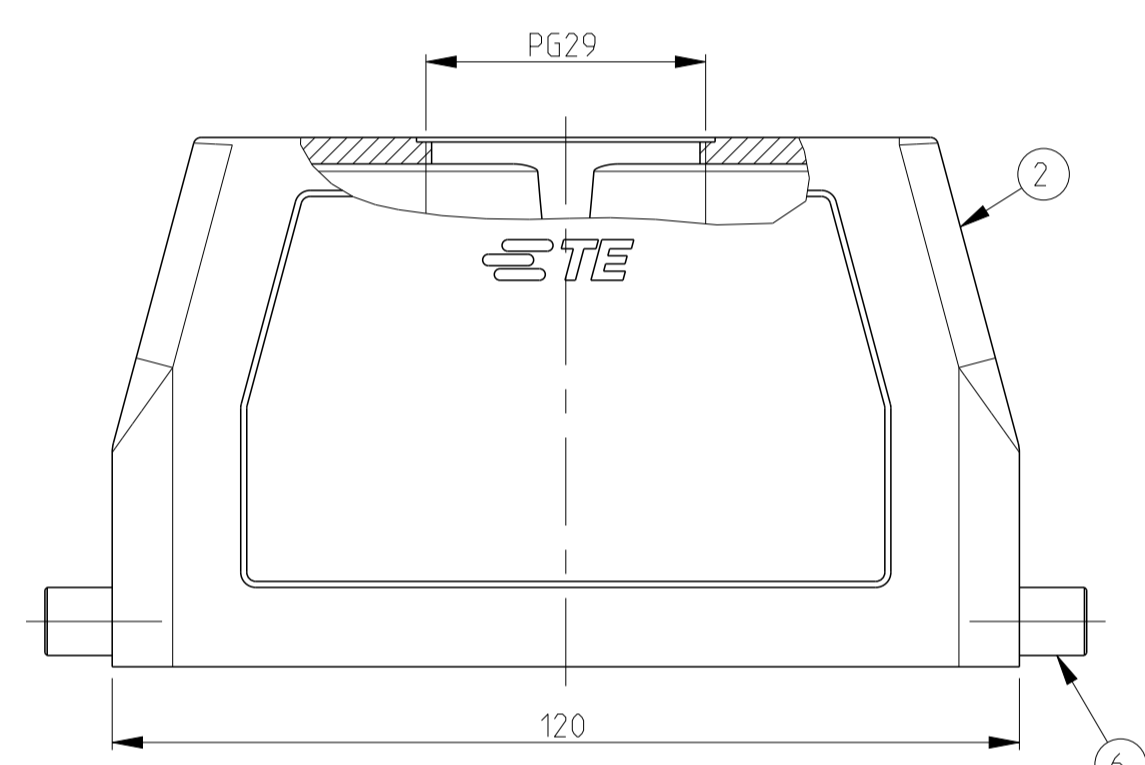
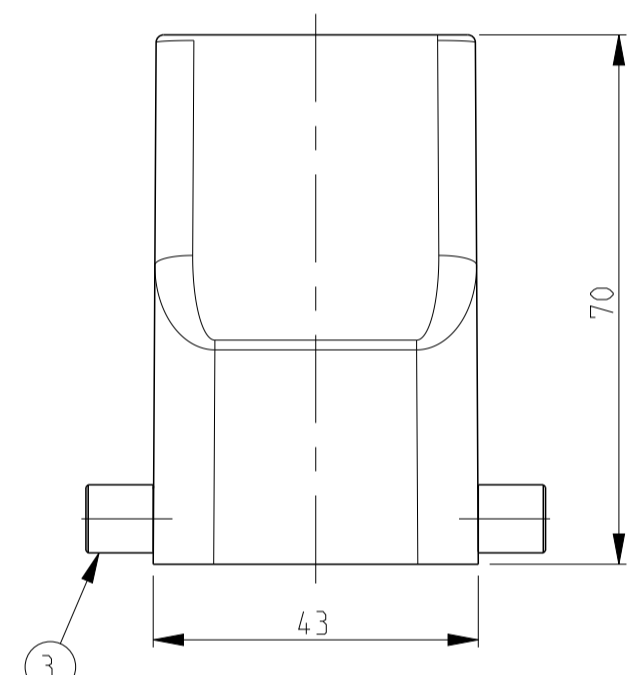
PN 1-6



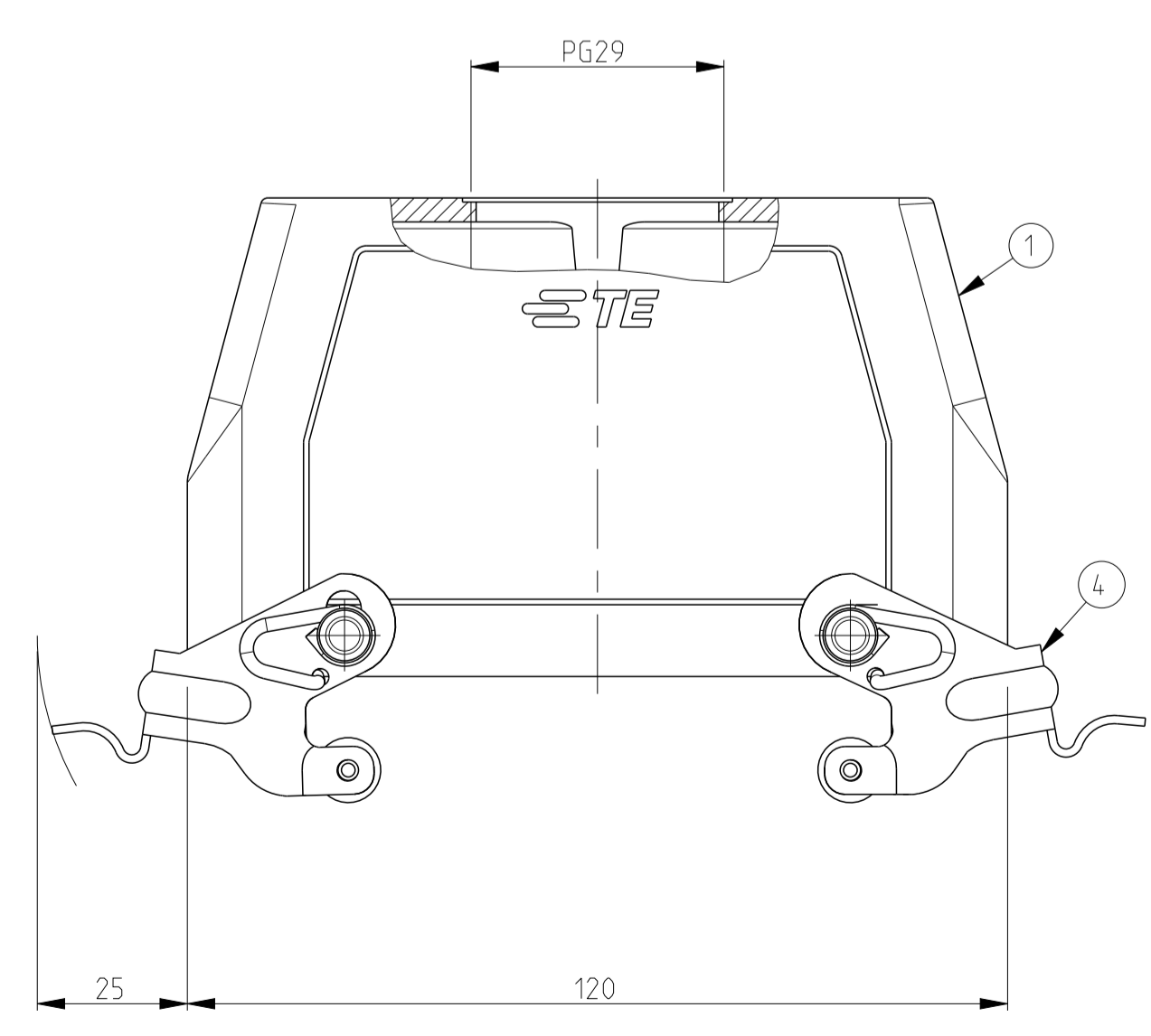
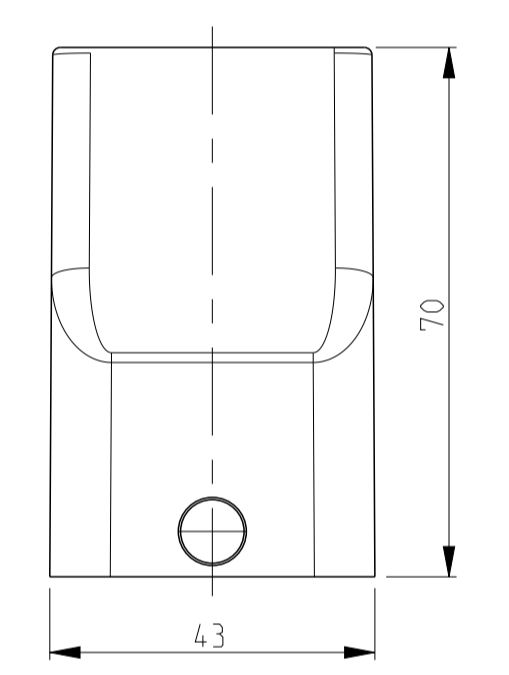
PN 1-7



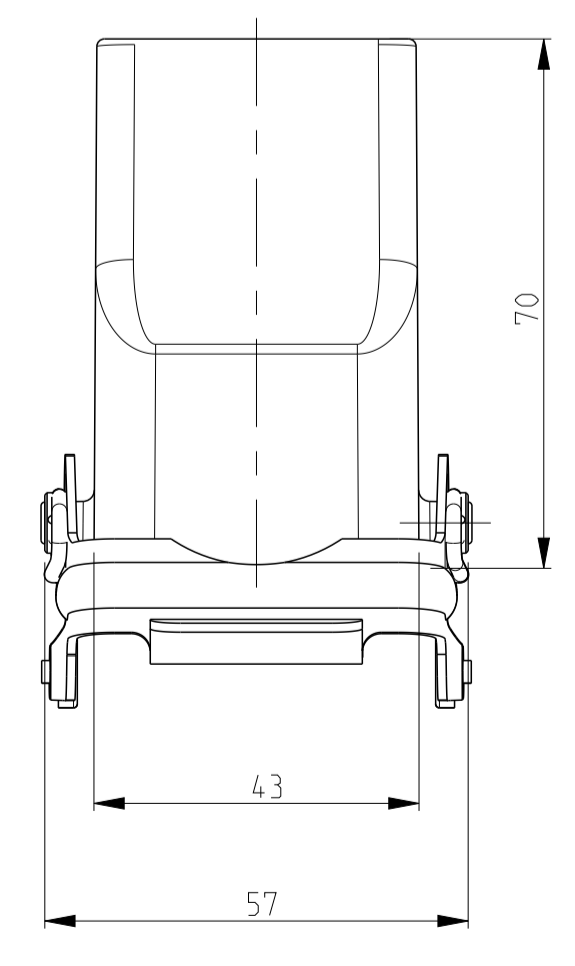
PN 2-6



PN 2-7

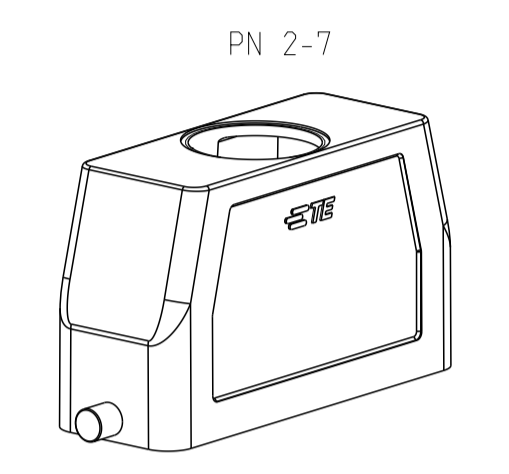


PN 1-1

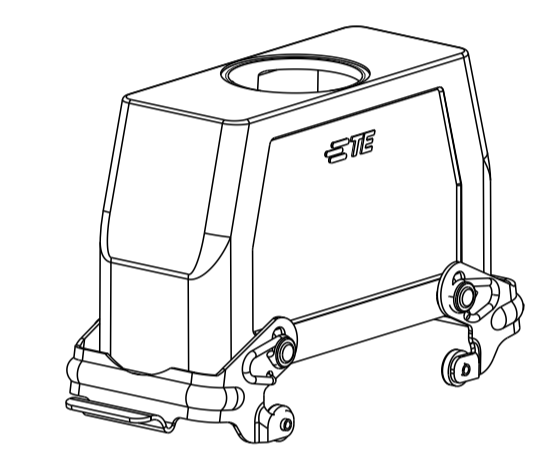


REVISIONS				
P.	LTH.	DESCRIPTION	DATE	DWN. APVD.
A4		ECR-17-013084	29MAR2018	SG MKO

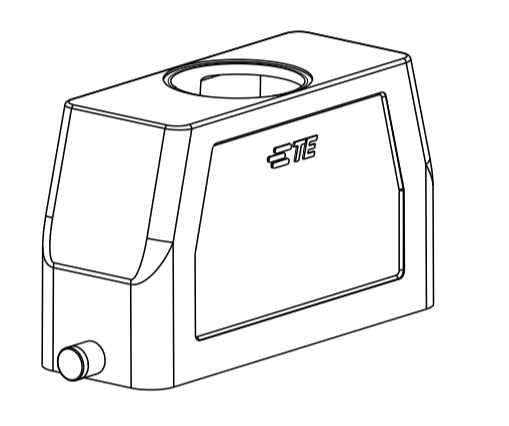
- NOTES.
- 1 Material:Housing:Aluminium Diecasting Alloy
 - 2 Surface:Varnish grey
-Aluminium oxide-
Varnish black
 - 3 Varnish on the inside not necessary
 - 4 Packaging
Quantity 5 Pieces in a box



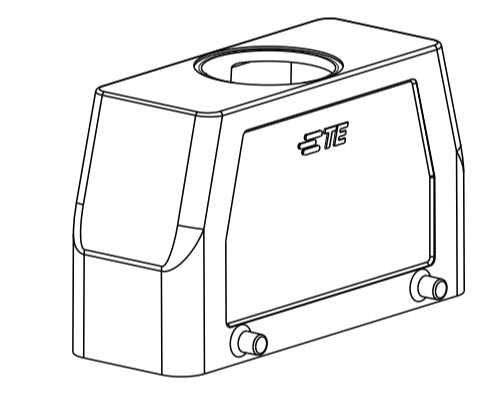
SCALE 1:2



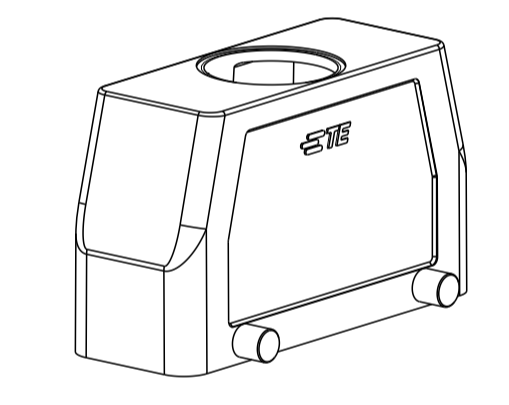
SCALE 1:2



SCALE 1:2



SCALE 1:2



SCALE 1:2

QTY	ITEM NO	DESCRIPTION	MATERIAL	SURFACE	COLOR	ITEM NO	REMARKS
2	1	LB-Clip bolt	Stainless steel	Blank	-	6	
2	2	LB-Clip bolt	Steel	Zinc plated	Blue	5	
4	2	VS-Side clip	Steel	Zinc plated	Blue	4	
4	4	VS-Clip bolt	Stainless steel	Blank	-	3	
1	1	HB-K Hood	Aluminium	Aluminium oxide	Black	2	
1	1	HB Hood	Aluminium	-	Grey	1	

ORDERING TEXT
 HB.24.STO.1.29.G
 HB-K.24.STO.1.29.G
 HB.24.STO-VS.1.29.G
 HB.24.STO-GR.1.29.G
 HB-K.24.STO-GR.1.29.G

THIS DRAWING IS A CONTROLLED DOCUMENT. DWN. 30.01.2003
 CMC Schneider 30.01.2003
 CMC Schweiiger

DIMENSIONS:	TOLERANCES UNLESS OTHERWISE SPECIFIED:	NAME	Head
mm	0.100	PRODUCT SPEC	HB.24.STO.1.29.G
	0.200	APPLICATION SPEC	
	0.500	SIZE	A1
	1.000	CAGE CODE	00779
	2.000	DRAWING NO	C=1102328
MATERIAL	FINISH	WEIGHT	SCALE 1:1
			SHEET 1 OF 1
			REV. A4

CUSTOMER DRAWING